

MAX.
260sqm/h

VELAJET

VE-1904X

ECO SOLVENT PRINTER



See product information from DGI App & DGI facebook



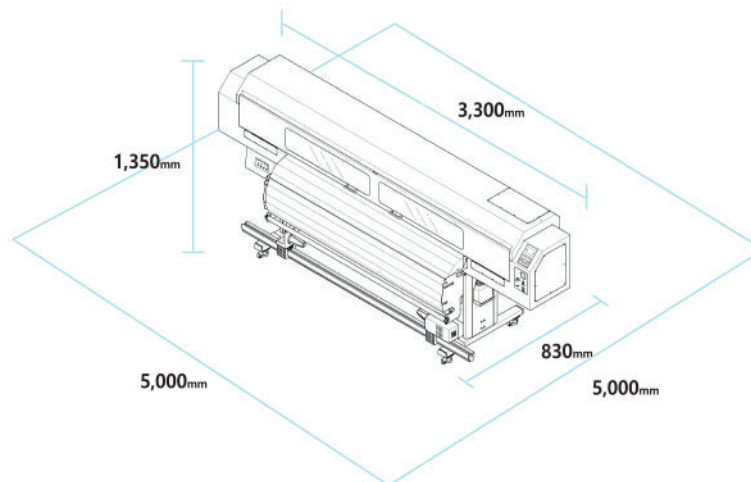
Technical Specification

Print Speed	Super Draft Mode 260 m ² /hr	Draft Mode 127 m ² /hr	Production Mode 54 m ² /hr	Quality Mode 38 m ² /hr	High Quality Mode 31 m ² /hr
Print Resolution	360 x 360dpi 1 Pass Normal	720 x 360dpi 2 Pass I/L DBF I	720 x 720dpi 4 Pass I/L DBF I	720 x 1,080dpi 6 Pass I/L DBF I	720 x 1,440dpi 8 Pass I/L DBF I
Max Print Width	1,880 mm				
Max Media Width	1,900 mm				
Media	Type Vinyl, Flexbanner, Film				
	Max Weight 40 Kg				
	Max Diameter 200 mm				
Print Mode	Bi-Direction / Uni-Direction , Normal / Interleave / DBF I,II				
Printhead	Panasonic printhead (8 heads)				
Color	4 Color - Cyan, Magenta, Yellow, Black				
Ink	DGI Original Eco Solvent ES210				
Interface	TCP / IP				
Environmental Range	Temperature : 20~28 °C Humidity : 40~70%				
	Environment condition may affect on final printing quality.				
Electricity Requirements	Single Phase 220V (50/60Hz, AC) Main 5A, 3.3Kw Heater 15A				

* All specifications are subject to change without notice.

Dimension for Installation

Printer	Uncrated				Crated			
	Length (mm)	Width (mm)	Height (mm)	Weight (kg)	Length (mm)	Width (mm)	Height (mm)	Weight (kg)
	3,300	830	1,350	330	3,800	1,150	1,710	570



DGI Original Ink

MODEL	ES210
Type	Eco Solvent
Capacity	1 Kg / Bottle
Color	C, M, Y, K and Cleaning Solution
Package	10 Bottle / Box

TREND
Digital Printing Solutions
www.trendsrl.net

Italian distributor

Trend s.r.l. / Via Mario Corrieri, 12 - 05100 Terni (TR), Italy / Phone: [+39] 0744 800680
Fax: [+39] 0744 800514
Email: commerciale@trendsrl.net